



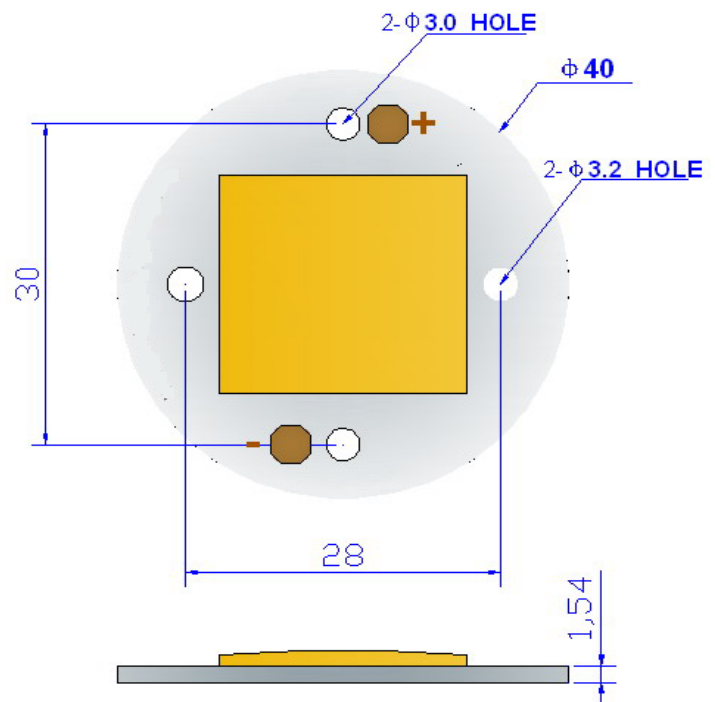
Part No. ') J57-8K'

Features:

- High radiometric power per LED
- Very long operating life
(up to 100K hours)
- Low voltage DC operated
- More Energy Efficient than Incandescent and most Halogen lamps
- Good color uniformity
- NO UV
- Superior ESD protection
- Easy installation with Screws
- High Heat dissipation Efficiency

Typical Applications:

- Reading lights(car,bus,aircraft)
- Portable(flashlight,bicycle)
- Automotive Exterior(Stop-Tail-Turn, CHMSL,Mirror Side Repeat)
- Decorative/Entertainment
- Dental curing lights
- Uplighters/Downlighters
- Bollards/Security/Garden
- Cove/Undershelf/Task
- Indoor/Outdoor Commercial and Residential Architectural
- Automotive Ext(stop-Tail-Turn)
- Street Lamp

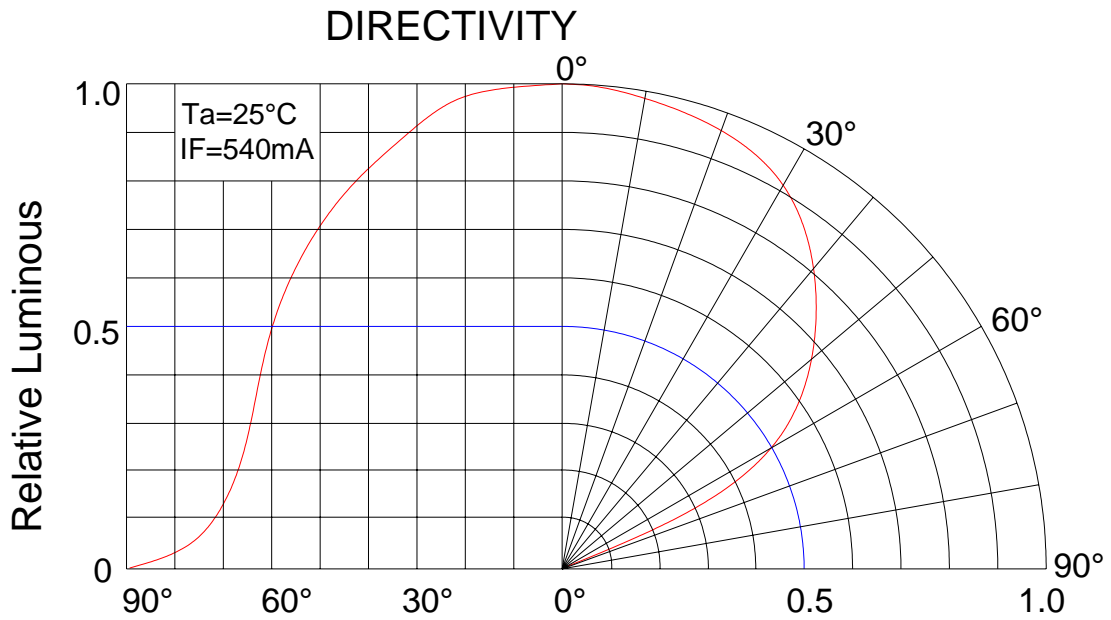


NOTE:

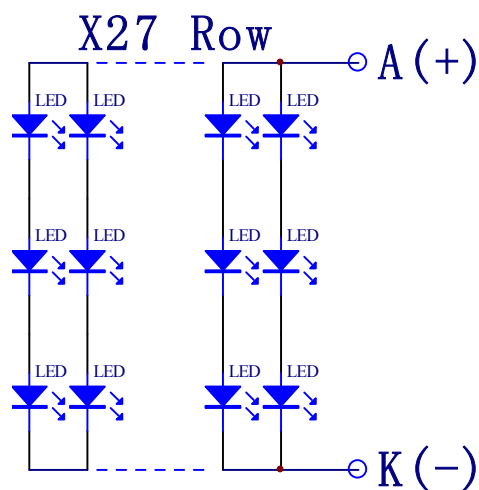
- All dimensions are millimeter.
- Tolerance is ± 0.1 mm unless otherwise noted.
- It is strongly recommended that the temperature of lead be not higher than 60 .
- The appearance and specifications of the product may be modified for improvement without notice.



Part No.:)J57-8K'



Circuit Diagram:





Part No.:) J57-8K'

Absolute maximum ratings (Ta = 25°C)

Parameter	Symbol	Test Condition	Value		Unit
			Min.	Max.	
DC Forward Current	IF	----	----	700	mA
Peak Pulse Current	Ipeak	Duty=0.1mS, 1kHz	----	1000	mA
Power Dissipation	Pd	----	----	6.5	W
LED Junction Temperature	Tj	----	----	120	°C
Operating Temperature	Topr	----	-25	+80	°C
Storage Temperature	Tstr	----	-40	+100	°C
ESD Sensitivity	----	HBM	8000	----	V
Soldering Temperature	----	----	220°C for 5 Seconds max		

Electrical and optical characteristics (Ta = 25°C)

Parameter	Symbol	Test Condition	Value			Unit
			Min.	Typ.	Max.	
Forward Voltage	VF	IF = 540mA	9.0	9.2	10	V
Luminous Flux	Φv		----	380	----	lm
Viewing Angle	2 θ 1/2		----	120	----	Deg.
Color Temperature	CCT		----	----	3600	K

Luminous Flux Bins (Ta = 25°C)

Unit: lm

Bin	U	V	W	X
Min	240	280	320	360
Max	280	320	360	400

CCT Bins (Ta = 25°C)

Unit: K

Bin	W0	W1	W2
Min	-----	3000	3300
Max	3000	3300	3600

Note

1. Flux is measured with an accuracy of ±15%
2. CCT selection acc to CCT groups and accuracy of ± 200K
3. Forward Voltage is measured with an accuracy of ± 0.15