



Part No.: 5VAM12DW3C

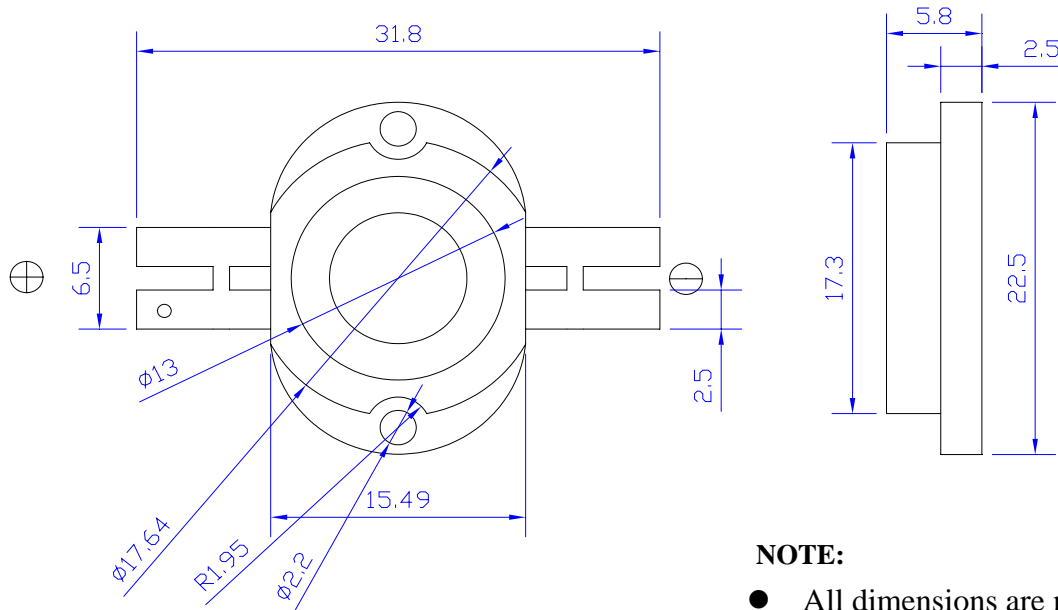
Features:

- Highest Flux
- High reliability and Very long operating life
- Low voltage DC operated
- More Energy Efficient
- RoHS Compliant

Typical Applications:

- Lighting
- Portable
- Automobile
- Decorations

Package Outlines: (Unit: mm)



NOTE:

- All dimensions are millimeter.
- Tolerance is ± 0.1 mm unless noted

**Part No.: 5VAM12DW3C****Absolute maximum ratings (Ta = 25°C)**

Parameter	Symbol	Test Condition	Value		Unit
			Min.	Max.	
DC Forward Current	IF	----	----	700	mA
Power Dissipation	Pd	----	----	5	W
Operating Temperature	Topr	----	-25	+85	°C
Storage Temperature	Tstr	----	-25	+100	°C
ESD Sensitivity	---	HBM	8000	---	V

Electrical and optical characteristics (Ta = 25°C)

Parameter	Symbol	Test Condition	Value			Unit
			Min.	Typ.	Max.	
Forward Voltage	VF	IF = 700mA	6	7	7.5	V
Luminous Flux	Φv		200	----	----	lm
Viewing Angle	2θ 1/2		----	120	----	Deg.
Color Temperature	CCT		----	3300	----	K

Luminous Flux Bins (Ta = 25°C)**Unit: lm**

Bin	T	U	V
Min	200	240	280
Max	240	280	320

CCT Bins (Ta = 25°C)**Unit: K**

Bin	W0	W1	W2
Min	----	3000	3300
Max	3300	3300	3600