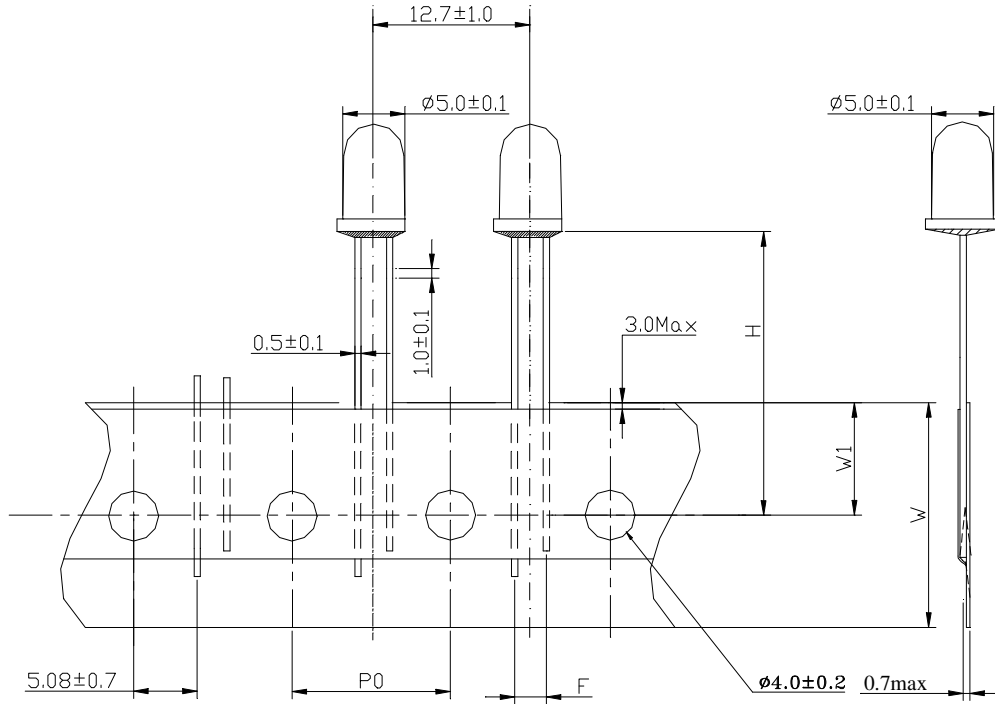
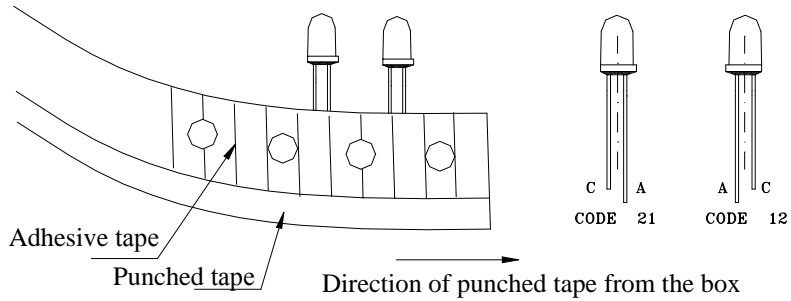




5MM LEDs straight feet taping diagram



Sketch map of polarity type:



Box size: 355 x 147 x 50 mm, 500pcs, G.W. 280g

Type of tape 编带类型	H	W	W1	F	P0
AS	19.7±0.5	18.0+1-0.5	9.0±0.5	2.54+0.6-0.1	12.7±0.2
CS	22.0±0.5	18.0+1-0.5	9.0±0.5	2.54+0.6-0.1	12.7±0.2
KS	21.7±0.5	18.0+1-0.5	9.0±0.5	2.54+0.6-0.1	12.7±0.2
ES	24.0±0.5	18.0+1-0.5	9.0±0.5	2.54+0.6-0.1	12.7±0.2
MS	25.5±0.5	18.0+1-0.5	9.0±0.5	2.54+0.6-0.1	12.7±0.2

Units: mm

Scale: 2 : 1