



SMD SPECIFICATION

Part No./型号 E12RGB-3W

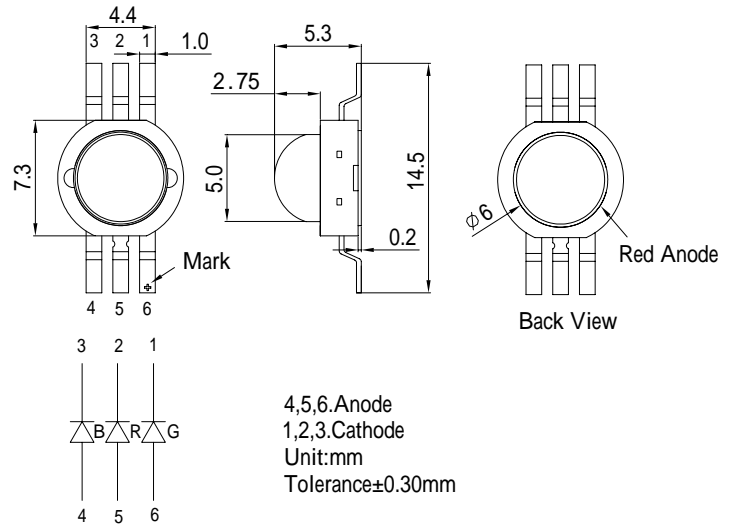
■Features

- Highest Luminous Flux
- Super Energy Efficiency
- Long Lifetime Operation
- Superior ESD protection
- Superior UV Resistance
- Water Clear Type

■Applications

- Mobile Phone Flash
- Automotive Interior/Exterior Lighting / Signal Lighting
- Architectural Lighting
- LCD TV / Monitor Backlight
- Projector Light Source / Traffic Signals / Task Lighting
- Decorative / Pathway Lighting / Household Applications

■Outline Dimension



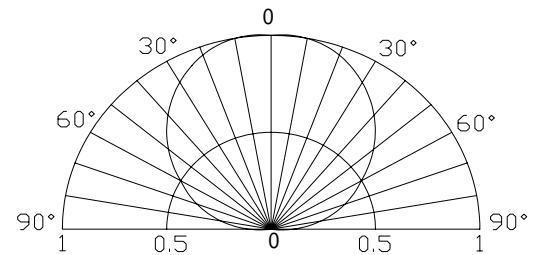
■Absolute Maximum Rating

($T_a=25$)

Item	Symbol	Value		Unit
		Red	Green/Blue	
DC Forward Current	I_F	800	800	mA
Pulse Forward Current*	I_{FP}	1000	1000	mA
Reverse Voltage	V_R	5	5	V
Power Dissipation	P_D	2450	3150	mW
Operating Temperature	T_{opr}	-30 ~ +85		
Storage Temperature	T_{stg}	-40 ~ +100		
Lead Soldering Temperature	T_{sol}	260 /5sec		-

*Pulse width Max.10ms Duty ratio max 1/10

■Directivity



■Electrical -Optical Characteristics

($T_a=25$)

Item	Symbol	Condition	Min.	Typ.	Max.	Unit
DC Forward Voltage	$V_F(R)$	$I_F=700mA$	2.5	2.8	3.5	V
	$V_F(B/G)$	$I_F=700mA$	3.5	3.8	4.5	V
DC Reverse Current	I_R	$V_R=5V$	-	-	10	μA
Domi. Wavelength	$\lambda_D(Red)$	$I_F=700mA$	620	625	630	nm
	$\lambda_D(Green)$	$I_F=700mA$	520	525	535	nm
	$\lambda_D(Blue)$	$I_F=700mA$	455	460	465	nm
Luminous Flux	$v(Red)$	$I_F=700mA$	70	80	-	lm
	$v(Green)$	$I_F=700mA$	120	120	-	lm
	$v(Blue)$	$I_F=700mA$	20	30	-	lm
50% Power Angle	$2\theta_{1/2}$	$I_F=700mA$	-	120	-	deg

Note: Don't drive at rated current more than 5s without heat sink for Xeon 1 Power emitter series.